



4287-B SE International Way
Milwaukie, OR 97222 USA
Telephone: (503) 659-6100
FAX: (503) 654-4422
Technical Support: (800) 323-4548
Email: support@ecd.com
Internet: <http://www.ecd.com>

Side Rider™

Operation Instructions

Getting Started

Side Rider™ components are built of high quality materials for reliable operation and long life. The Side Rider™ kit includes a 6" carrier and an expansion arm.

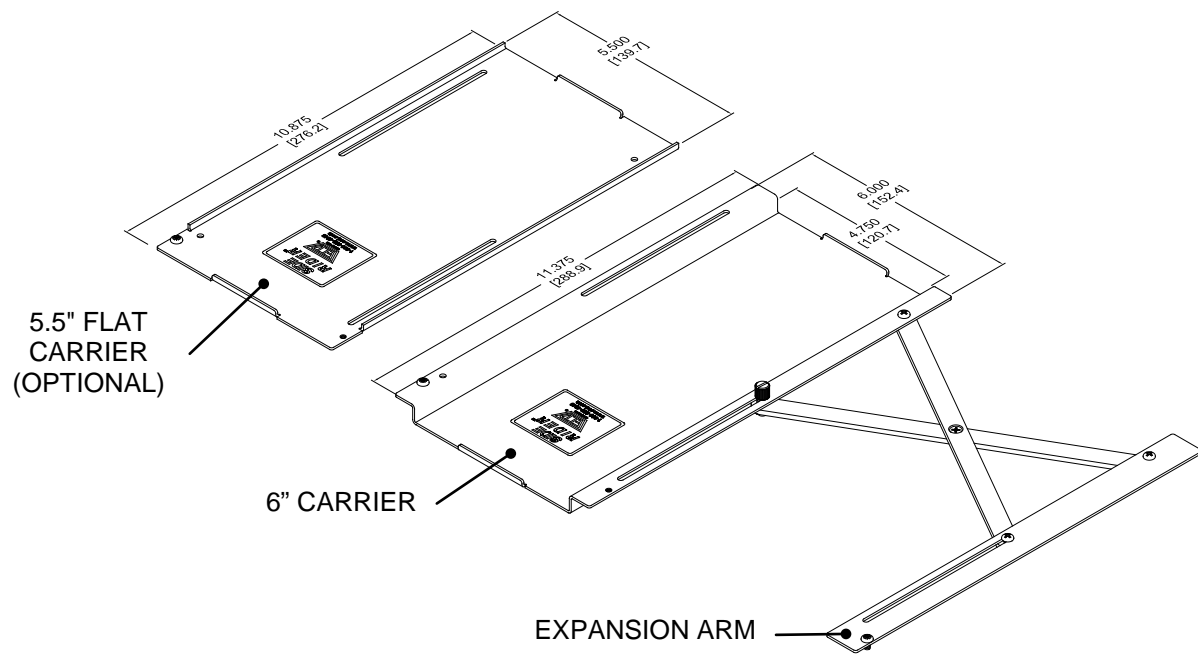


Figure 1: Side Rider™ Components



The Side Rider™ may interfere with some oven center supports. Prior to operation, make sure the support is clear of the Side Rider™ path. The Optional 5.5" Flat carrier is specifically designed to avoid oven center supports. If the center support cannot be cleared, this product should not be used.

Set the Side Rider™ width

- 1) Loosen the thumbscrew to adjust the expansion arm to match the width of the machine pin rails.



To avoid getting the Side Rider™ hung in the machine, make sure the width is slightly less than the space between the pin rails.

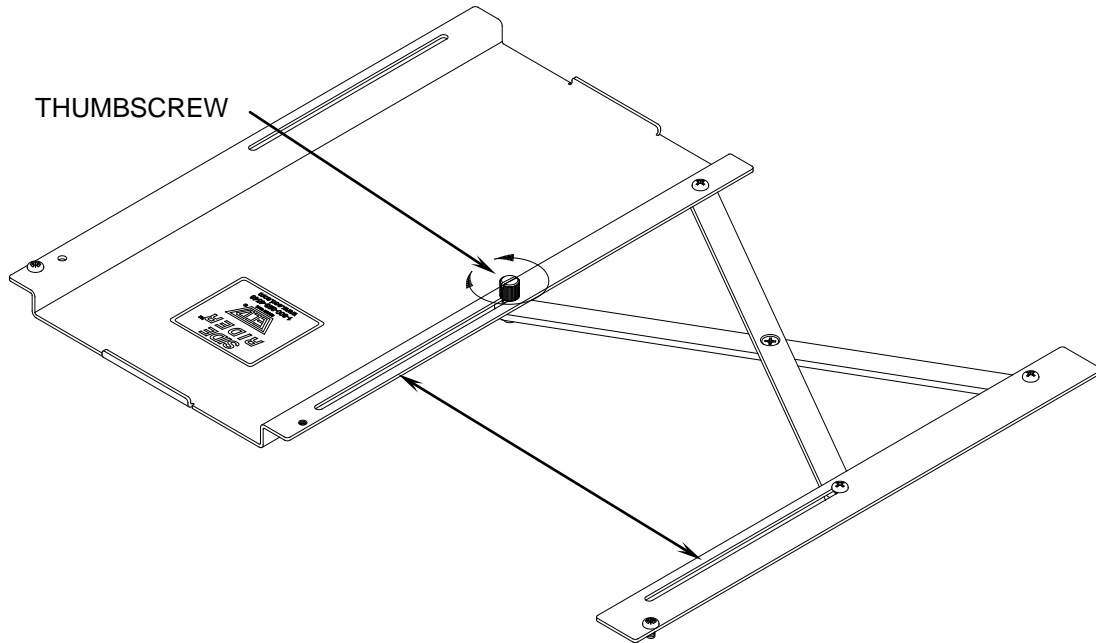


Figure 2: Width adjustment

- 2) Tighten thumbscrew to lock the expansion arm into position.

Optional Expansion Arm

The Side Rider™ is designed to incorporate an optional expansion arm for use with wide test assemblies. (Contact ECD, Inc. Sales department for ordering information)

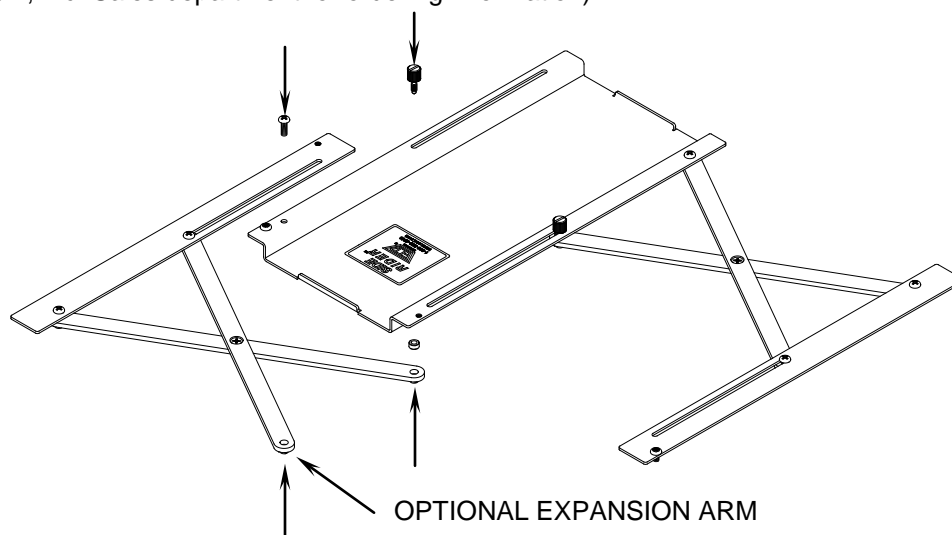


Figure 3: Optional expansion arm